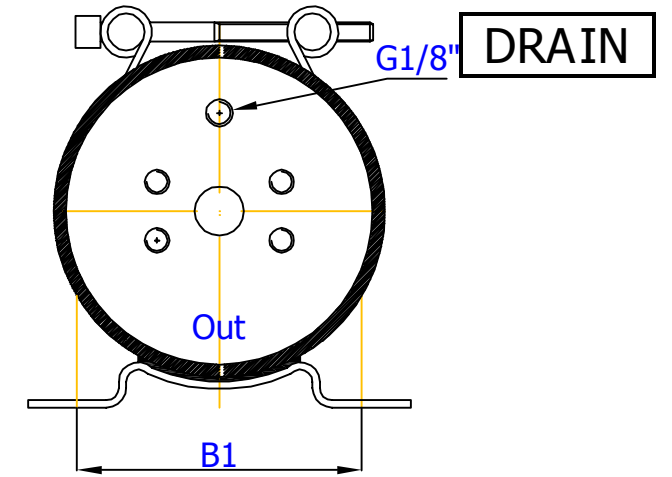
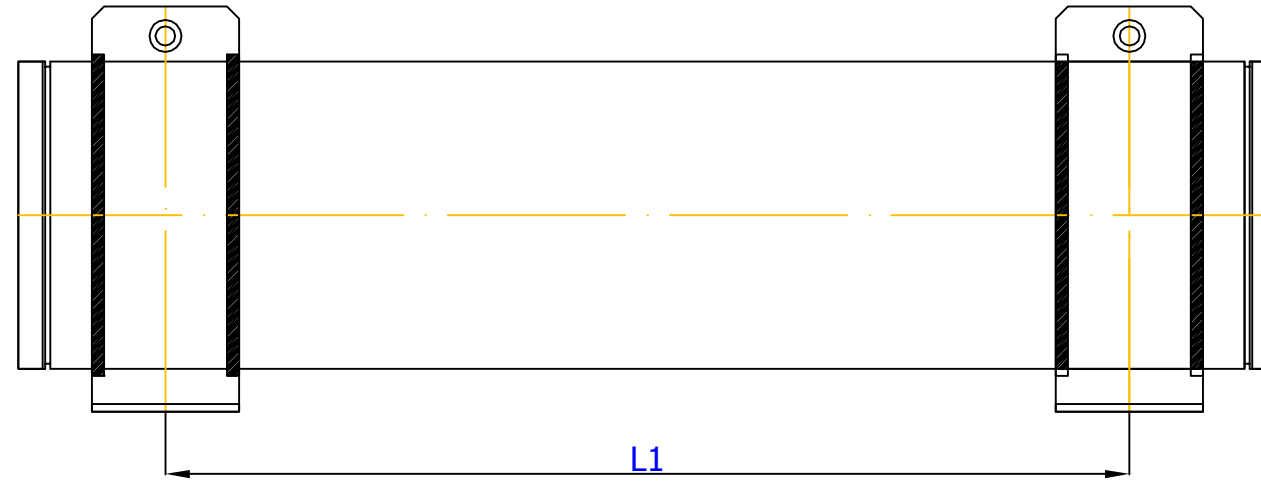


IN



OUT

Installation Instructions:
Install the damper on a rigid surface, to prevent vibrations.
In case of not rigid surface, use vibration mounts
Take care on in- and output to the damper as shown on the drawing
Install the damper close to the pump, with a hose of max. 1 meter length
Damper can be installed in every position
When the flow is low, drain the air after starting up

	Drawn : Cornelis Attema	Scale :	Comments:	
	Order.:	Measure: mm		
	Approval.:	Date : 29-12-09		
	Project: Pulsation dampers	Projectnr.:	State: as build	Rev: 0
	Title: Installation instructions	Drwg. nr.: 7010-C01003	Form.: A3	